

# INCREASED SAFETY

The Harmatex components range features large push button selection, with a choice of momentary or push-push actuation modes; pilot lamps and selector switches, with plastic or metal bezel. Harmatex range offers unrivalled flexibility with a modular design accommodating up to 6 contacts per operator head.

## SPARES & ACCESSORIES

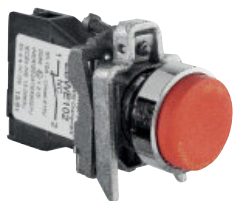
<b>Material</b>	Metal and plastic	
<b>IP rating</b>	IP65/IP66	
<b>Ambient temperature range</b>	-20°C TO 65°C -20°C TO 75°C	
<b>Approvals</b>	Certified 02ATEX9007U (contact blocks) Certified 04ATEX9003U (pilot lamps)	IECEX INE 13.0063U
<b>Marking</b>	II 2 GD Ex d e IIC Gb (contact blocks) Ex e mb IIC Gb (pilot lamps) Ex tb IIIC Db	

### Flush push buttons



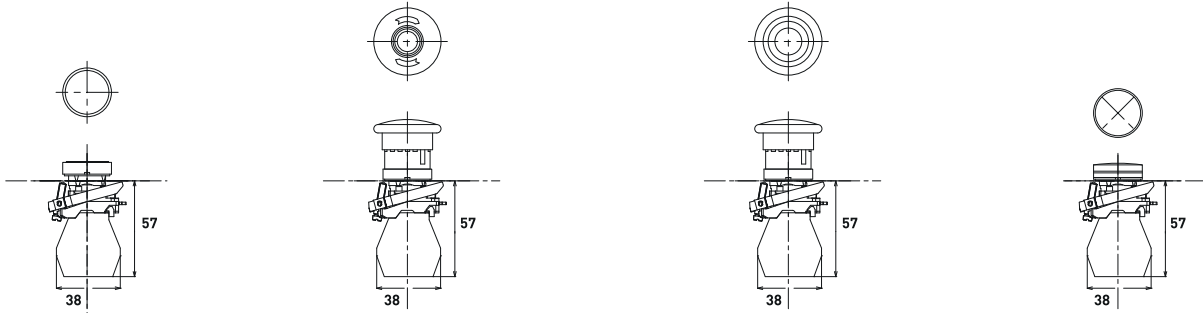
CODE	TYPE	BEZEL	COLOUR	CONTACT
B1301A0009000	XBW4BA11 - MOMENTARY PUSH BUTTON	METAL	WHITE	1NO
B1301A0010000	XBW4BA21 - MOMENTARY PUSH BUTTON	METAL	BLACK	1NO
B1301A0015000	XBW4BA22 - MOMENTARY PUSH BUTTON	METAL	BLACK	1NC
B1301A0011000	XBW4BA31 - MOMENTARY PUSH BUTTON	METAL	GREEN	1NO
B1301A0016000	XBW4BA41 - MOMENTARY PUSH BUTTON	METAL	RED	1NO
B1301A0012000	XBW4BA42 - MOMENTARY PUSH BUTTON	METAL	RED	1NC
B1301A0013000	XBW4BA51 - MOMENTARY PUSH BUTTON	METAL	YELLOW	1NO
B1301A0014000	XBW4BA61 - MOMENTARY PUSH BUTTON	METAL	BLUE	1NO

### Projecting push buttons



CODE	TYPE	BEZEL	COLOUR	CONTACT
B1301A0056000	XBW4BL11 - MOMENTARY PUSH BUTTON	METAL	WHITE	1NO
B1301A0057000	XBW4BL21 - MOMENTARY PUSH BUTTON	METAL	BLACK	1NO
B1301A0058000	XBW4BL31 - MOMENTARY PUSH BUTTON	METAL	GREEN	1NO
B1301A0059000	XBW4BL42 - MOMENTARY PUSH BUTTON	METAL	RED	1NC
B1301A0060000	XBW4BL51 - MOMENTARY PUSH BUTTON	METAL	YELLOW	1NO
B1301A0061000	XBW4BL61 - MOMENTARY PUSH BUTTON	METAL	BLUE	1NO

**Dimensions HARMATEX**

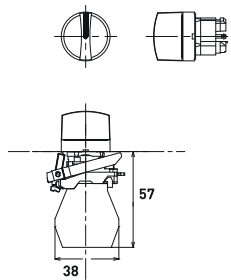


**Pushbutton**

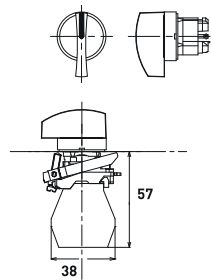
**Mushroom Pushbutton  
Twist to release**

**Emergency Stop  
Mushroom Pushbutton**

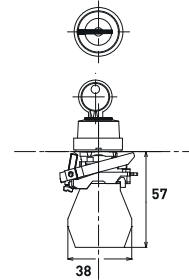
**Pilot light**



**Selector switches  
with standard handle**



**Selector switches  
with long handle**



**Key selector switches**

**Push buttons with silicone boot**



CODE	TYPE	BEZEL	COLOUR	CONTACT
B1301A0062000	XBW4BP11S - MOMENTARY PUSH BUTTON	METAL	WHITE	1NO
B1301A0063000	XBW4BP21S - MOMENTARY PUSH BUTTON	METAL	BLACK	1NO
B1301A0064000	XBW4BP31S - MOMENTARY PUSH BUTTON	METAL	GREEN	1NO
B1301A0001000	XBW4BP42S - MOMENTARY PUSH BUTTON	METAL	RED	1NC
B1301A0065000	XBW4BP51S - MOMENTARY PUSH BUTTON	METAL	YELLOW	1NO
B1301A0066000	XBW4BP61S - MOMENTARY PUSH BUTTON	METAL	BLUE	1NO



B1301A0067000	XBW5AP11S - MOMENTARY PUSH BUTTON	PLASTIC	WHITE	1NO
B1301A0068000	XBW5AP21S - MOMENTARY PUSH BUTTON	PLASTIC	BLACK	1NO
B1301A0069000	XBW5AP31S - MOMENTARY PUSH BUTTON	PLASTIC	GREEN	1NO
B1301A0071000	XBW5AP42S - MOMENTARY PUSH BUTTON	PLASTIC	RED	1NC
B1301A0073000	XBW5AP51S - MOMENTARY PUSH BUTTON	PLASTIC	YELLOW	1NO
B1301A0072000	XBW5AP61S - MOMENTARY PUSH BUTTON	PLASTIC	BLUE	1NO

**Stop mushroom push button**



CODE	TYPE	BEZEL	COLOUR	CONTACT
B1301A0020000	XBW4BC21 - MOMENTARY MUSHROOM	METAL	BLACK	1NO
B1301A0021000	XBW4BC31 - MOMENTARY MUSHROOM	METAL	GREEN	1NO
B1301A0022000	XBW4BC42 - MOMENTARY MUSHROOM	METAL	RED	1NC
B1301A0023000	XBW4BC51 - MOMENTARY MUSHROOM	METAL	YELLOW	1NO
B1301A0101000	XBW4BC61 - MOMENTARY MUSHROOM	METAL	BLUE	1NO

B130152202000	XBW5AC21 - MOMENTARY MUSHROOM	PLASTIC	BLACK	1NO
B130152203000	XBW5AC31 - MOMENTARY MUSHROOM	PLASTIC	GREEN	1NO
B130152204000	XBW5AC42 - MOMENTARY MUSHROOM	PLASTIC	RED	1NC
B130152205000	XBW5AC51 - MOMENTARY MUSHROOM	PLASTIC	YELLOW	1NO
B130152206000	XBW5AC61 - MOMENTARY MUSHROOM	PLASTIC	BLUE	1NO

## Emergency stop mushroom push buttons



CODE	TYPE	BEZEL	CONTACT
B1301A0075000	XBW4BS142 - MUSHROOM TWIST T.R. WITH KEY	METAL	1NC
B1301A0076000	XBW4BS542 - MUSHROOM TWIST T.R.	METAL	1NC



B1301A0078000	XBW5AS142 - MUSHROOM TWIST T.R. WITH KEY	PLASTIC	1NC
B1301A0079000	XBW5AS542 - MUSHROOM TWIST T.R.	PLASTIC	1NC

## Pilot lights 24V to 254V AC/DC (current from 2 to 10mA)



CODE	TYPE	BEZEL	COLOUR
B1301A0081000	XLW4BV013 - PILOT LIGHT	METAL	WHITE
B1301A0082000	XLW4BV033 - PILOT LIGHT	METAL	GREEN
B1301A0083000	XLW4BV043 - PILOT LIGHT	METAL	RED
B1301A0084000	XLW4BV053 - PILOT LIGHT	METAL	YELLOW
B1301A0085000	XLW4BV063 - PILOT LIGHT	METAL	BLUE



B1301A0086000	XLW5AV013 - PILOT LIGHT	PLASTIC	WHITE
B1301A0087000	XLW5AV033 - PILOT LIGHT	PLASTIC	GREEN
B1301A0088000	XLW5AV043 - PILOT LIGHT	PLASTIC	RED
B1301A0089000	XLW5AV053 - PILOT LIGHT	PLASTIC	YELLOW
B1301A0105000	XLW5AV063 - PILOT LIGHT	PLASTIC	BLUE

## Selector switches with standard handle



CODE	TYPE	BEZEL	POSITIONS	CONTACT
B1301A0024000	XBW4BD21 - STAY PUT	METAL	2	1NO
B1301A0029000	XBW4BD41 - SPRING RETURN	METAL	2	1NO
B1301A0028000	XBW4BD33 - STAY PUT	METAL	3	1NO+1NO
B1301A0031000	XBW4BD53 - SPRING RETURN TO CENTER	METAL	3	1NO+1NO
B1301A0032000	XBW4BD73 - SPRING RETURN FROM LEFT	METAL	3	1NO+1NO
B1301A0034000	XBW4BD83 - SPRING RETURN FROM RIGHT	METAL	3	1NO+1NO

B1301A0051000	XBW5AD21 - STAY PUT	PLASTIC	2	1NO
B1301A0103000	XBW5AD41 - SPRING RETURN	PLASTIC	2	1NO
B1301A0017000	XBW5AD33 - STAY PUT	PLASTIC	3	1NO+1NO
B1301A0052000	XBW5AD53 - SPRING RETURN TO CENTER	PLASTIC	3	1NO+1NO
B1301A0053000	XBW5AD73 - SPRING RETURN FROM LEFT	PLASTIC	3	1NO+1NO
B1301A0104000	XBW5AD83 - SPRING RETURN FROM RIGHT	PLASTIC	3	1NO+1NO

## Selector switches with long handle



CODE	TYPE	BEZEL	POSITIONS	CONTACT
B1301A0046000	XBW4BJ21 - STAY PUT	METAL	2	1NO
B1301A0048000	XBW4BJ41 - SPRING RETURN	METAL	2	1NO
B1301A0047000	XBW4BJ33 - STAY PUT	METAL	3	1NO+1NO
B1301A0049000	XBW4BJ53 - SPRING RETURN TO CENTER	METAL	3	1NO+1NO
B1301A0050000	XBW4BJ73 - SPRING RETURN FROM LEFT	METAL	3	1NO+1NO
B1301A0102000	XBW4BJ83 - SPRING RETURN FROM RIGHT	METAL	3	1NO+1NO