

# FLAMEPROOF CP../EFDCN.. Series - Copper free aluminium



The CP../EFDCN.. range of control stations are based on the features of our CP../CPS.. enclosures, offer an Ex d IIC mode of protection and they can be equipped with different components (push button, selector switches, potentiometers, signal lamps, rotary handles, ammeters, voltmeters, etc.) Boxes are manufactured in aluminium with low content of copper and complete with threaded hubs suitable for cable glands or conduit, connection does not affect the internal void, which remains available for terminals wiring. Internal and external screws are made of AISI316 stainless steel.

This series is tailor made on the base of customer specification, including quantity and type of operators.

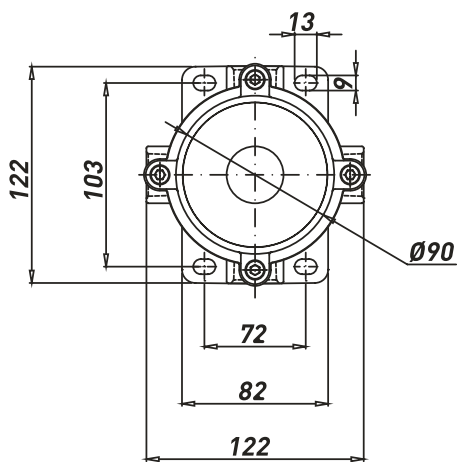
Based on the customer's needs and certificate requirements, our technical department will advise and select the most suitable combination.

These boxes are suitable for hazardous areas of industrial plants for indoor and outdoor applications.

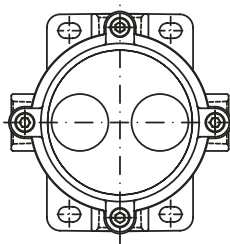
## TECHNICAL FEATURES

<b>Material</b>	Aluminium with low content of copper
<b>IP rating</b>	IP66
<b>Ambient temperature range</b>	-50°C to +60°C (ATEX) -60°C to +60°C (IECEX)
<b>Approvals</b>	Certified 03ATEX0009 IECEX BKI 15.0002 TR CU
<b>Marking</b>	II 2 GD Ex d IIC T(*) Gb Ex t IIIC T(*) Db IP66 * T6/T85°C, T5/T100°C, T4/T135°C
<b>Surface treatment</b>	Painted by green colour polyurethane painting cycle RAL6003 (other colour available upon request)
<b>Thread</b>	Metric pitch 1.5, ANSI B1.20.1 NPT, UNI-6125
<b>Standard certificate label</b>	Made by self adhesive UV and corrosion resistant polyester, approved by certified Laboratory.
<b>Accessories available upon request</b>	Internal anticondensate painting Traffolyte/Stainless steel certificate label Hot deep galvanized steel or Stainless Steel AISI316 stand/canopy.

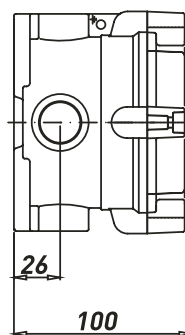
**Dimensions CP../EFDCN**



**CPC/CPT/CPX  
EFDCN-1**



**CPC/CPT/CPX  
EFDCN-2**

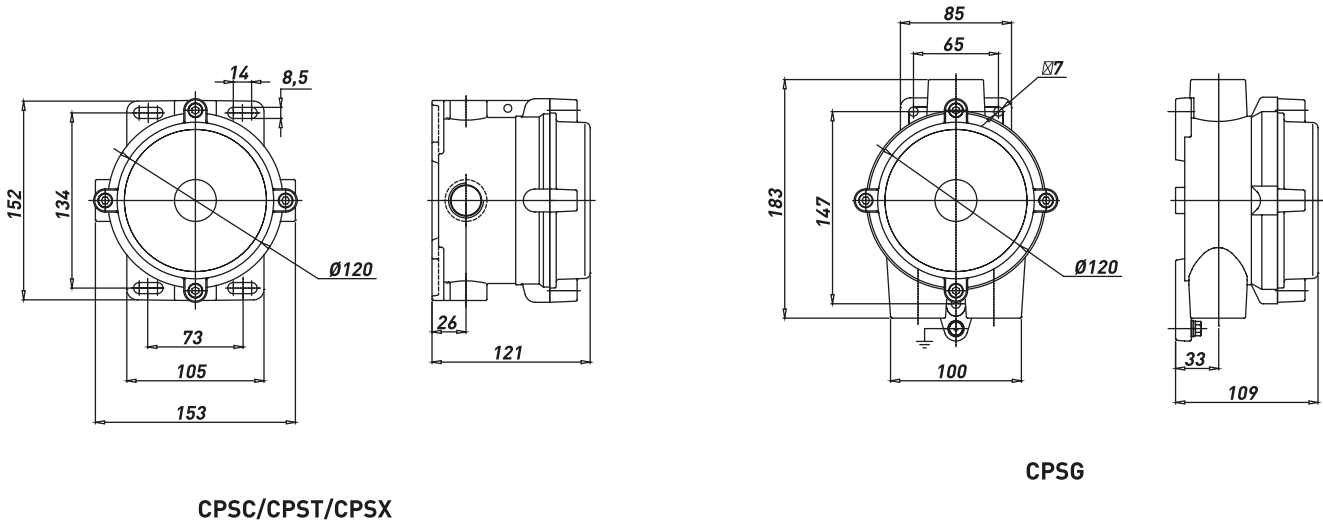


**CP../EFDCN Series push button stations (Selection table - empty boxes)**

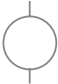



N° OF ENTRIES		TYPE
2		CPC-26 2XM25
		CPC-26 2X3/4"GK
		CPC-26 2X3/4"NPT
3		CPT-26 3XM25
		CPT-26 3X3/4"GK
		CPT-26 3X3/4"NPT
4		CPX-26 4XM25
		CPX-26 4X3/4"GK
		CPX-26 4X3/4"NPT

\* For complete push button stations is necessary to ask to the Sales Office.

## Dimensions CPS../EFDCN

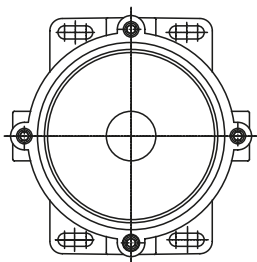


## CPS../EFDCN Series push button stations (Selection table - empty boxes)

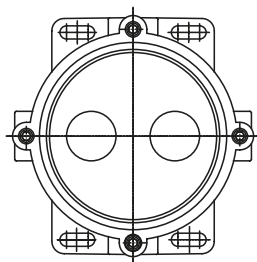
N° OF ENTRIES	TYPE
2 	CPSC 2XM25
	CPSC 2XM32
	CPSC 2X3/4" GK
	CPSC 2X3/4" NPT
	CPSC 2X1" GK
	CPSC 2X1" NPT
3 	CPST 3XM25
	CPST 3XM32
	CPST 3X3/4" GK
	CPST 3X3/4" NPT
	CPST 3X1" GK
	CPST 3X1" NPT
3 	CPSG 3XM25
	CPSG 3XM32
	CPSG 3X3/4" GK
	CPSG 3X3/4" NPT
	CPSG 3X1" GK
	CPSG 3X1" NPT
4 	CPSX 4XM25
	CPSX 4XM32
	CPSX 4X3/4" GK
	CPSX 4X3/4" NPT
	CPSX 4X1" GK
	CPSX 4X1" NPT

\* For complete push button stations is necessary to ask to the Sales Office.

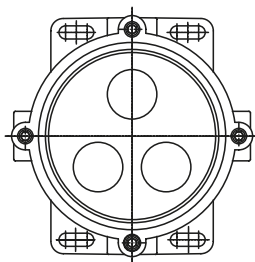
## Dimensions CP../CPS.. EFDCN



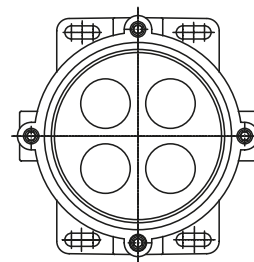
EFDCN-1



EFDCN-2



EFDCN-3



EFDCN-4

## CP../CPS.. EFDCN Series complete push button stations

TYPE	CODE	ENTRIES	WEIGHT [Kg]	AMBIENT TEMPERATURE	COLOUR	DIAGRAM
CPC-26/EFDCN-PE(1NO/1NC) - FOOT SWITCH	B08H317211112	M25X1,5	3.20	(-20 °C;+40 °C)	RAL-6003	
CPC-26/EFDCN-PE(1NO/1NC) - FOOT SWITCH	B08H317211122	3/4" NPT	3.20	(-20 °C;+40 °C)	RAL-6003	
CPC-26/EFDCN-PE(1NO/1NC) - FOOT SWITCH	B08H317211132	3/4" UNI-6125	3.20	(-20 °C;+40 °C)	RAL-6003	
CPC-26/EFDCN-PP - BLACK P.B. 1NO/RED P.B. 1NC	B08H32A1B3112	M25X1,5	1.22	(-20 °C;+40 °C)	RAL-6003	
CPC-26/EFDCN-PP - BLACK P.B. 1NO/RED P.B. 1NC	B08H32A1B3122	3/4" NPT	1.22	(-20 °C;+40 °C)	RAL-6003	
CPC-26/EFDCN-PP - BLACK P.B. 1NO/RED P.B. 1NC	B08H32A1B3132	3/4" UNI-6125	1.22	(-20 °C;+40 °C)	RAL-6003	
CPC-26/EFDCN-P - BLACK P.B. 1NO/1NC	B08H310111112	M25X1,5	1.10	(-20 °C;+40 °C)	RAL-6003	
CPC-26/EFDCN-P - BLACK P.B. 1NO/1NC	B08H310111122	3/4" NPT	1.10	(-20 °C;+40 °C)	RAL-6003	
CPC-26/EFDCN-P - BLACK P.B. 1NO/1NC	B08H310111132	3/4" UNI-6125	1.10	(-20 °C;+40 °C)	RAL-6003	
CPSC-26/EFDCN-PPL - BLACK P.B. 1NO/RED P.B. 1NC/RED P.L.	B08K33ABS0112	M25X1,5	1.70	(-20 °C;+40 °C)	RAL-6003	
CPSC-26/EFDCN-PPL - BLACK P.B. 1NO/RED P.B. 1NC/RED P.L.	B08K33ABS0122	3/4" NPT	1.70	(-20 °C;+40 °C)	RAL-6003	
CPSC-26/EFDCN-PPL - BLACK P.B. 1NO/RED P.B. 1NC/RED P.L.	B08K33ABS0132	3/4" UNI-6125	1.70	(-20 °C;+40 °C)	RAL-6003	
CPC-26/EFDCN-EM - BLACK P.B. 1NO/1NC	B08H316211112	M25X1,5	1.20	(-20 °C;+40 °C)	RAL-6003	
CPC-26/EFDCN-EM - BLACK P.B. 1NO/1NC	B08H316211122	3/4" NPT	1.20	(-20 °C;+40 °C)	RAL-6003	
CPC-26/EFDCN-EM - BLACK P.B. 1NO/1NC	B08H316211132	3/4" UNI-6125	1.20	(-20 °C;+40 °C)	RAL-6003	
CPC-26/EFDCN-EM - BLACK P.B. 1NO/1NC PRESSED	B08H316111112	M25X1,5	1.20	(-20 °C;+40 °C)	RAL-6003	
CPC-26/EFDCN-EM - RED P.B. 1NO/1NC	B08H316411112	M25X1,5	1.20	(-20 °C;+40 °C)	RAL-6003	